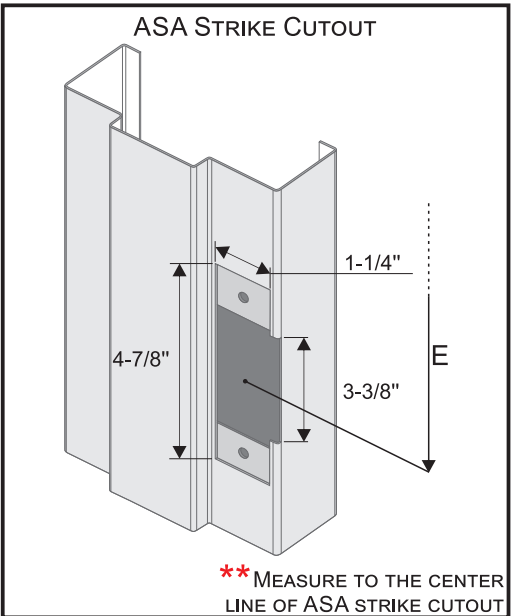
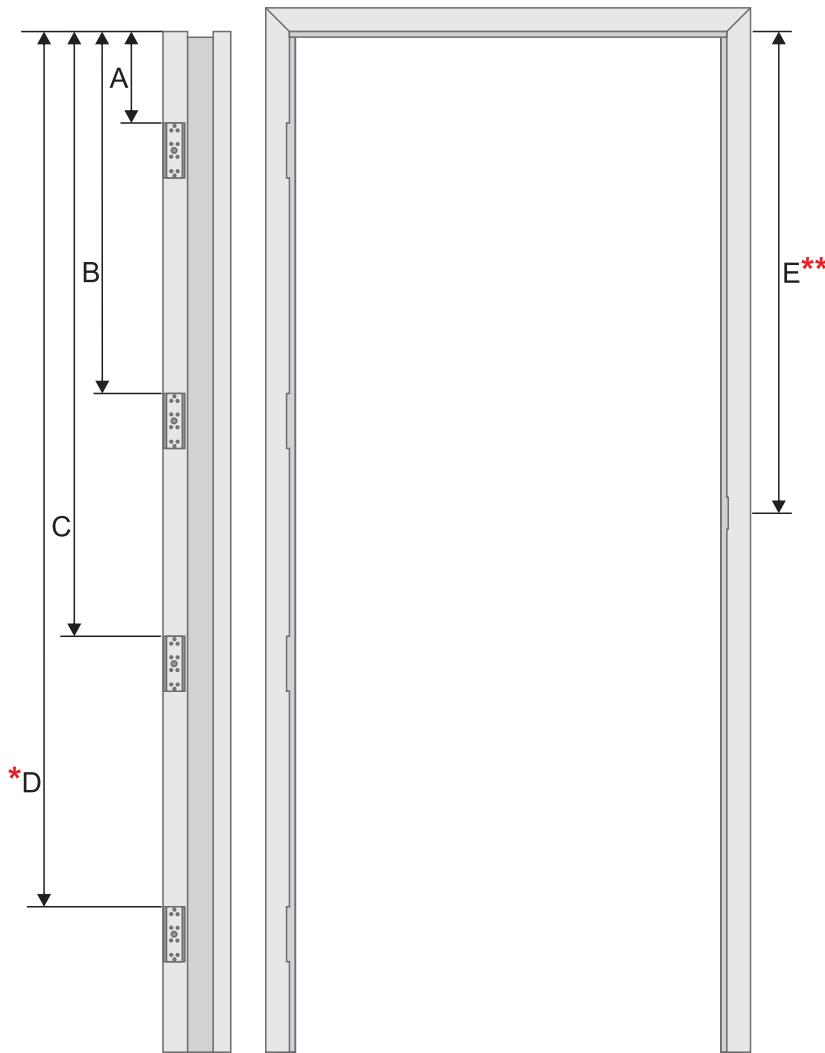


COMMON HOLLOW METAL HINGE LOCATIONS BY MANUFACTURER



*** HINGE D IS FOR 8'0" TALL DOORS ONLY**

	6'8" Door				7'0" Door				8'0" Door				
	A	B	C	E	A	B	C	E	A	B	C	D	E
Amweld	7 1/2	37 7/16	67 3/8	39 11/16	7 1/2	39 7/16	71 3/8	43 11/16	7 1/2	32 13/16	58 1/8	83 7/16	55 11/16
Ceco	6 3/4	37 3/4	68 3/4	38 3/16	6 3/4	39 3/4	72 3/4	42 3/16	6 3/4	32 3/4	58 3/4	84 3/4	54 3/16
Curries	5	35 1/4	65 1/2	40	5	37 1/4	69 1/2	44	5	30 1/2	56	81 1/2	56
Fenestra	5 1/4	35 1/4	65 1/4	39 11/16	5 1/4	37 1/4	69 1/4	43 11/16	5 1/4	30 5/8	55 15/16	81 1/4	55 11/16
Kewanee	7 3/8	37 7/16	67 1/2	39 11/16	7 3/8	39 7/16	71 1/2	43 11/16	7 3/8	32 3/4	58 1/8	83 1/2	55 11/16
Mesker	5	35 1/4	65 1/2	39 11/16	5	37 1/4	69 1/2	43 11/16	5	30 1/2	56	81 1/2	55 11/16
Pioneer	5	35 1/4	65 1/2	42	5	37 1/4	69 1/2	46	5	30 1/2	56	81 1/2	58
Republic	7 1/2	37 7/16	67 3/8	39 11/16	9 1/2	39 7/16	69 3/8	43 11/16	9 1/2	33 1/2	57 3/8	81 3/8	55 11/16
Steelcraft	7 1/2	37 7/16	67 3/8	39 11/16	7 1/2	39 7/16	71 3/8	43 11/16	7 1/2	32 25/32	58 1/16	83 3/8	55 11/16
DKS	7 1/2	37 7/16	67 3/8	39 11/16	7 1/2	39 7/16	71 3/8	43 11/16	7 1/2	32 13/16	58 1/8	83 7/16	55 11/16