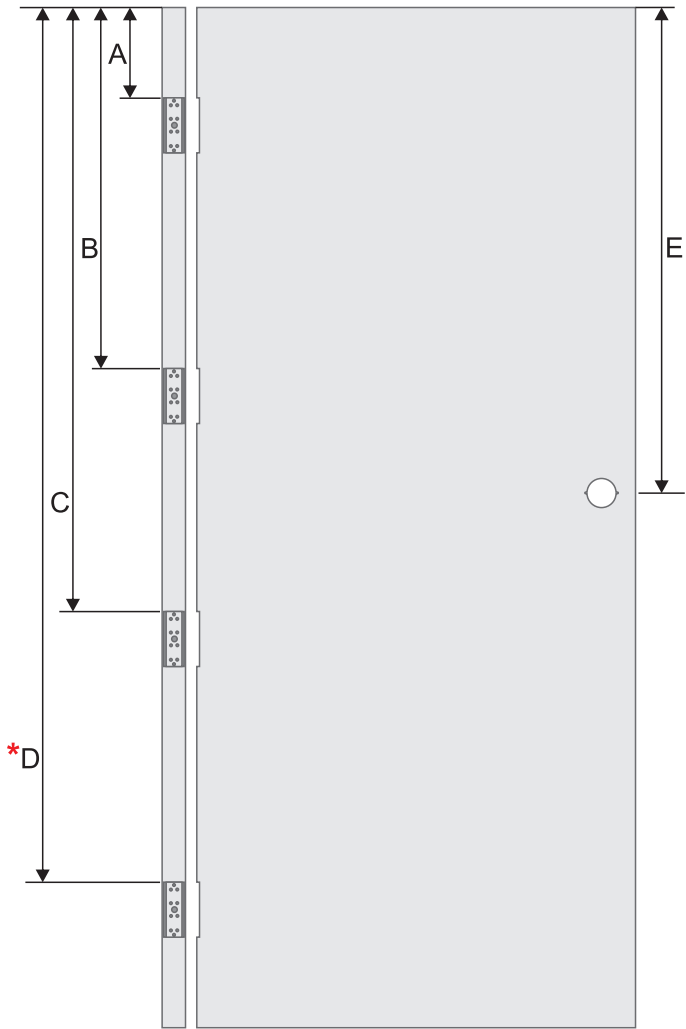
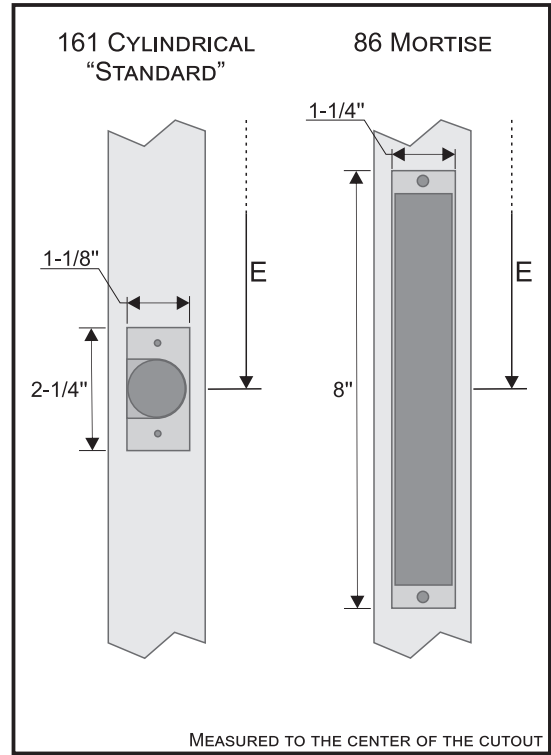


COMMON HOLLOW METAL HINGE LOCATIONS BY MANUFACTURER



LOCK PREP TYPES



***** HINGE D IS FOR 8'0" TALL DOORS ONLY

	6'8" Door				7'0" Door				8'0" Door				STD Undercut	
	A	B	C	E 161 E 86	A	B	C	E 161 E 86	A	B	C	D		E 161 E 86
Amweld	7 3/8	37 5/16	67 1/4	39 9/16 39 15/16	7 3/8	39 5/16	71 1/4	43 9/16 43 15/16	7 3/8	32 11/16	58	83 5/16	55 9/16 55 15/16	3/4
Ceco	6 5/8	37 5/8	68 5/8	38 1/16 38 7/16	6 5/8	39 5/8	72 5/8	42 1/16 42 7/16	6 5/8	32 5/8	58 5/8	84 5/8	54 1/16 54 7/16	3/4
Curries	4 7/8	35 1/8	65 3/8	39 7/8 40 1/4	4 7/8	37 1/8	69 3/8	43 7/8 44 1/4	4 7/8	30 3/8	55 7/8	81 3/8	55 7/8 56 1/4	5/8
Fenestra	5 1/8	35 1/8	65 1/8	39 9/16 39 15/16	5 1/8	37 1/8	69 1/8	43 9/16 43 15/16	5 1/8	30 1/2	55 13/16	81 1/8	55 9/16 55 15/16	3/4
Kewanee	7 1/4	37 5/16	67 3/8	39 9/16 39 15/16	7 1/4	39 5/16	71 3/8	43 9/16 43 15/16	7 1/4	32 5/8	58	83 3/8	55 9/16 55 15/16	3/4
Mesker	4 7/8	35 1/8	65 3/8	39 9/16 39 15/16	4 7/8	37 1/8	69 3/8	43 9/16 43 15/16	4 7/8	30 3/8	55 7/8	81 3/8	55 9/16 55 15/16	3/4
Pioneer	4 7/8	35 1/8	65 3/8	41 7/8 42 1/4	4 7/8	37 1/8	69 3/8	45 7/8 46 1/4	4 7/8	30 3/8	55 7/8	81 3/8	57 7/8 58 1/4	5/8
Republic	7 3/8	37 5/16	67 1/4	39 9/16 39 15/16	9 3/8	39 5/16	69 1/4	43 9/16 43 15/16	9 3/8	33 3/8	57 1/4	81 1/4	55 9/16 55 15/16	3/4
Steelcraft	7 3/8	37 5/16	67 1/4	39 9/16 39 15/16	7 3/8	39 5/16	71 1/4	43 9/16 43 15/16	7 3/8	32 21/32	57 15/16	83 1/4	55 9/16 55 15/16	3/4
DKS	7 3/8	37 5/16	67 1/4	39 9/16 39 15/16	7 3/8	39 5/16	71 1/4	43 9/16 43 15/16	7 3/8	32 11/16	58	83 5/16	55 9/16 55 15/16	3/4